

Main Feature

1. Single-In-Line package with metal cap.
2. 2.54mm IC terminal arrangement
3. wide operational voltage and low power consumption
4. Provide high speed, miniature and cost effective switching solution.

Application:

Security system, Modem and other telecommunication products.

Contact Rating:

- Nominal Load (Resistive)
 - Max. Switching Power..... 10 VA.
 - Max. Switching Voltage..... 100 VDC.
 - Max. Switching Current 0.5A.
 - Max. Carrying Current 1A.
- Contact Material Rh Alloy.
- Contact Form..... SPST

- Temperature Range:
 - Operating..... -10~60 °C.
 - Storage -20~80 °C.
- Humidity Range 45~85% RH.
- Vibration Resistance 20 g.
- Shock Resistance 30 g.
- Life Expectancy:
 - Electrical 10⁶ Operations at ref. 10VDC, 10mA

Performance (at Initial Value)

- Contact Resistance 150mΩMax.@100mA,6VDC
- Operate Time..... 1.0 mSec. Max.
- Release Time 0.5 mSec. Max.
- Dielectric Strength:
 - Between Coil & Contact 1,500 VAC at 50/60 Hz for one minute.
 - Between Contacts..... 200 VAC at 50/60 Hz for one minute.
- Insulation Resistance: 100 MΩ Minimum

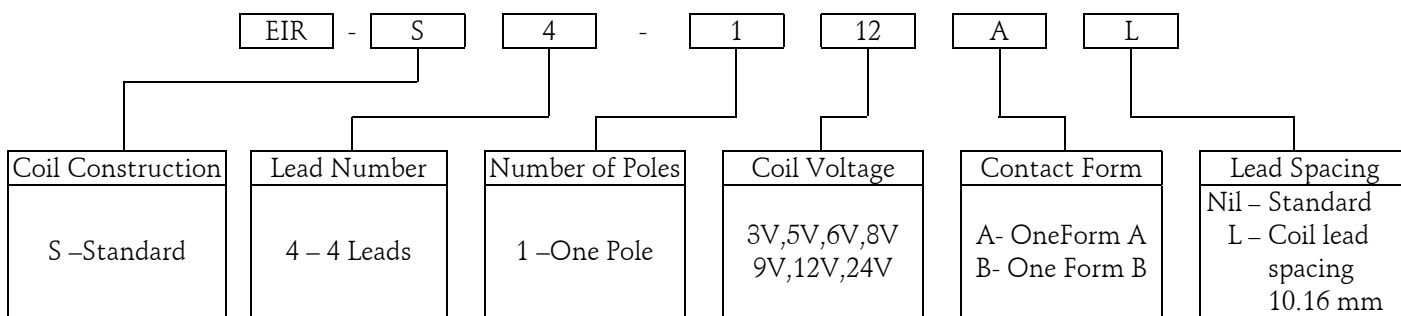
Safety Standard & Its File Number:

- C-UL E141060

Coil Specification (at 20 °C):

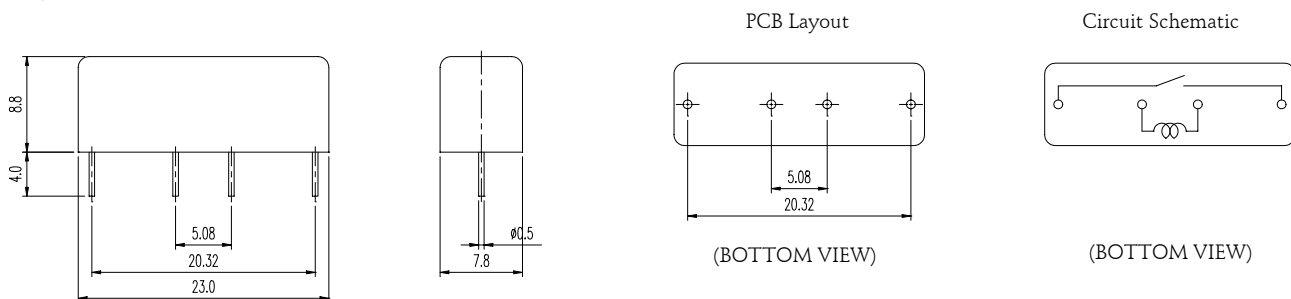
Coil Sensitivity	Nominal Voltage (VDC)	Nominal Current (mA)	Coil Resistance ($\Omega \pm 10\%$)	Power Consumption (mW)	Pull-In Voltage (VDC)	Drop-Out Voltage (VDC)	Maximum Allowable Voltage (VDC)
EIR	3	6	500	18	2.4	0.3	4.5
	5	10	500	50	3.2	0.5	7.5
	6	12	500	72	3.8	0.6	9.0
	8	11.4	700	92	6.0	0.8	12.0
	9	12.8	700	116	6.0	0.9	13.5
	12	11.4	1,050	138	8.0	1.2	18.0
	24	11.5	2,080	277	16.0	2.4	36.0

Ordering Information:



Dimension:

EIR-S4-1XXA



EIR-S4-1XXAL

