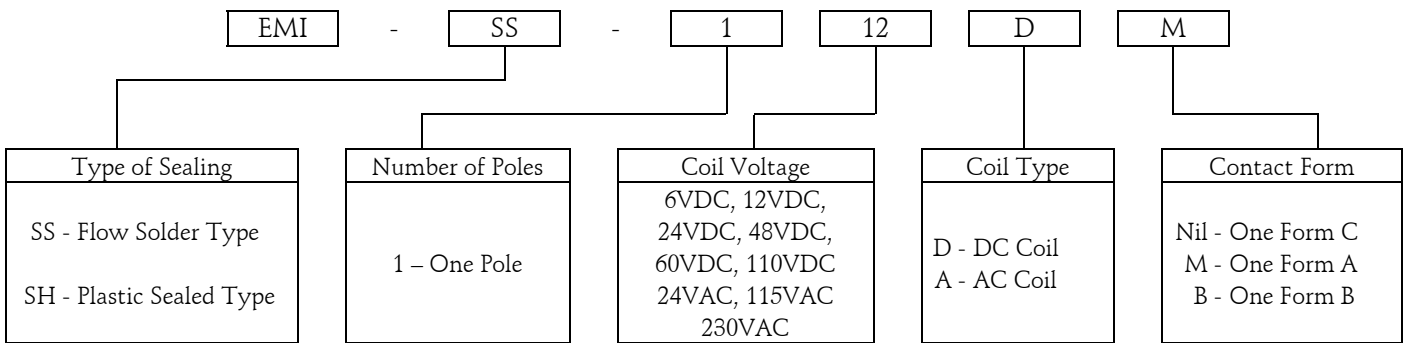


Coil Specification (at 20 °C):

Coil Sensitivity	Nominal Voltage	Nominal Current (mA)		Coil Resistance ($\Omega \pm 10\%$)		Power Consumption (W)		Pull-In Voltage (VDC)	Drop-Out Voltage (VDC)	Maximum Allowable Voltage (VDC)
		50HZ	60HZ	50HZ	60HZ	50HZ	60HZ			
EMI DC Coil	6	66.7		90		Abt. 0.40		80% Maximum	5% Minimum	130%
	12	33.3		360						
	24	16.7		1,440						
	48	8.7		5,520						
	60	8.2		7,340						
	110	4.1		26,530						
EMI AC Coil	24	29.75	25.35	350		0.71	0.61	30% Minimum		
	115	7.65	6.3	8100		0.88	0.73			
	230	3.42	2.72	32500		0.79	0.63			

Ordering Information:



Dimension:

EMI-SS/SH

