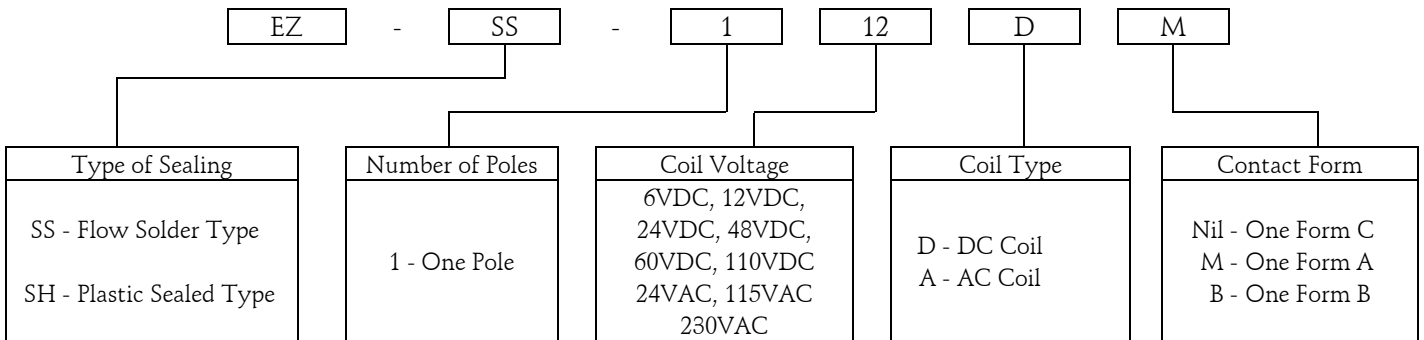


Coil Specification (at 20 °C):

Coil Sensitivity	Nominal Voltage	Nominal Current (mA)		Coil Resistance ($\Omega \pm 10\%$)	Power Consumption (W)		Pull-In Voltage (VDC)	Drop-Out Voltage (VDC)	Maximum Allowable Voltage (VDC)
		50HZ	60HZ		50HZ	60HZ			
EZ DC Coil	6	66.7		90	Abt. 0.40		80% Maximum	5% Minimum	130%
	12	33.3		360					
	24	16.7		1,440					
	48	8.7		5,520					
	60	8.2		7,340					
	110	4.1		26,530					
EZ AC Coil	24	29.75	25.35	350	0.71	0.61	30% Minimum		
	115	7.65	6.3	8100	0.88	0.73			
	230	3.42	2.72	32500	0.79	0.63			

Ordering Information:



Dimension:

EZ-SS-SH

