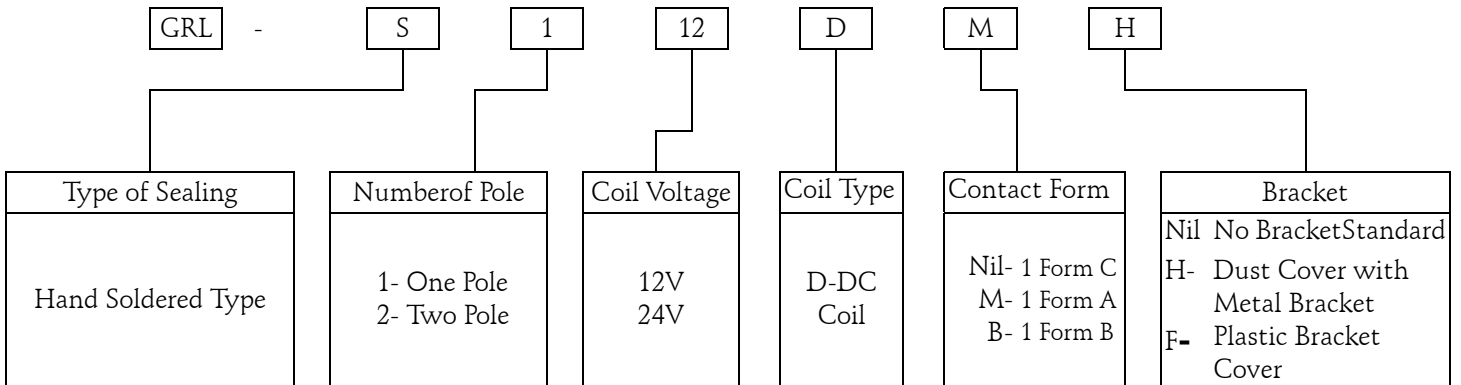


Coil Specification (at 20°C)

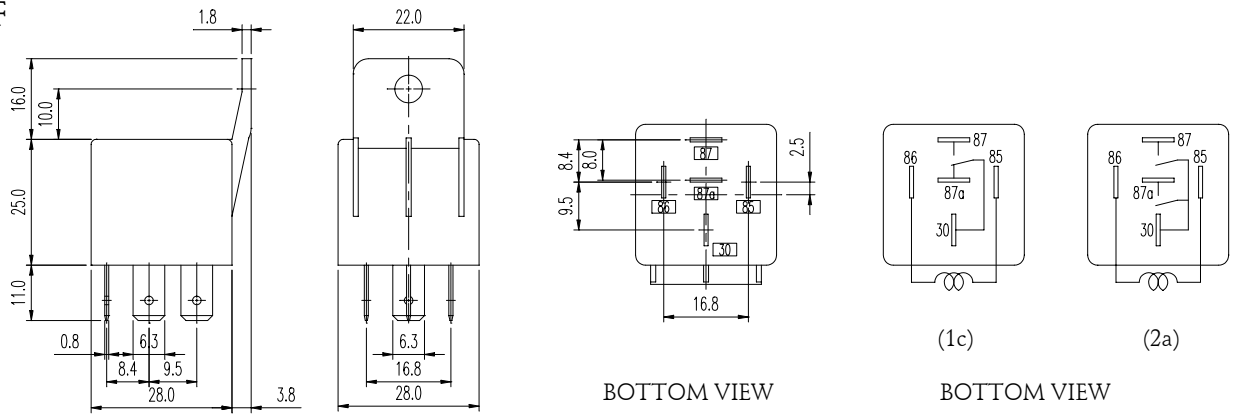
Coil Sensitivity	Nominal Voltage (VDC)	Nominal Current (mA)	Coil Resistance ($\Omega \pm 10\%$)	Power Consumption (W)	Pull-In Voltage (VDC)	Drop-Out Voltage (VDC)	Maximum Allowable Voltage (VDC)
GRL-D/DF	12	150	80	Abt. 1.8	75% Maximum	5% Minimum	150% but for short time carrying current
	24	75	320				

Ordering Information:



Dimension:

GRL-S-F



GRL-S
GRL-S-H

