



## Main Feature

1. Smaller size compared to RW series , but with 2×6A of rated carrying current and double contact type..
2. Application for automotive electrical systems.
3. JMW-2P is consisted of 2 pieces of JMW-1P and capsulated by one cover and the location of terminals are distributed for easy pattern design on N.O. contact terminal.
4. Simple magnetic circuit to meet mass production for low cost offer.
5. Plastic sealed type are available.

## Application :

Car Control Switching Box (Alarm System, Automatic Door Locking System....), Car Flashers.... etc.

## Contact Rating :

- Nominal Load(Resistive Load)  
Contact Capacity
- JMW-1P.....2×6A at 14VDC.  
Operating Frequency;  
1s ON,14s OFF
- JMW-2P(for each Pole).....2×6A at 14VDC  
Operating Frequency;  
1s ON,14s OFF
- Rated Carrying Current .....2×6A.
- Max. Allowable Current .....12A.
- Max. Allowable Voltage .....16VDC.
- Max. Allowable Power Force.150W
- Min. Switching Load .....DC 5V, 10mA.
- Contact Material .....Ag Alloy.
- Contact Form.....SPDM & DPDM.

## Performance (at Initial Value)

- Contact Resistance .....100 mΩ Max.@1A,6VDC
- Operate Time .....10 mSec. Max.
- Release Time .....10 mSec. Max.
- Dielectric Strength :  
Between Coil & Contact .....500VAC at 50/60 Hz  
for one minute.
- Between Contacts .....500VAC at 50/60 Hz  
for one minute.
- Surge Resistance .....1,500V (between coil  
& contact 1.2x50μSec.)

- Insulation Resistance ..... 100 MegaΩ Min. at  
500VDC
- Max. On/Off Switching :  
Electrical..... 30 Ops per Minute.
- Mechanical..... 300 Ops per Minute.
- Temperature Range ..... -40~85°C
- Humidity Range ..... 45~85% RH.
- Coil Temperature Rise..... 70°C Max.
- Vibration :  
Endurance ..... 10 to 55 Hz dual  
amplitude width  
1.5mm.
- Error Operation ..... 10 to 55 Hz dual  
amplitude width  
1.5mm.
- Shock :  
Endurance ..... 1,000 m/S<sup>2</sup> Min.
- Error Operation ..... 100 m/S<sup>2</sup> Min.
- Life Expectancy :  
Mechanical ..... 10<sup>7</sup> Operations at No  
load condition.
- Electrical ..... 10<sup>5</sup> Operations at Rated  
Resistive Load.
- Weight ..... about 5.0 g for 1P.  
about 9.0 g for 2P.

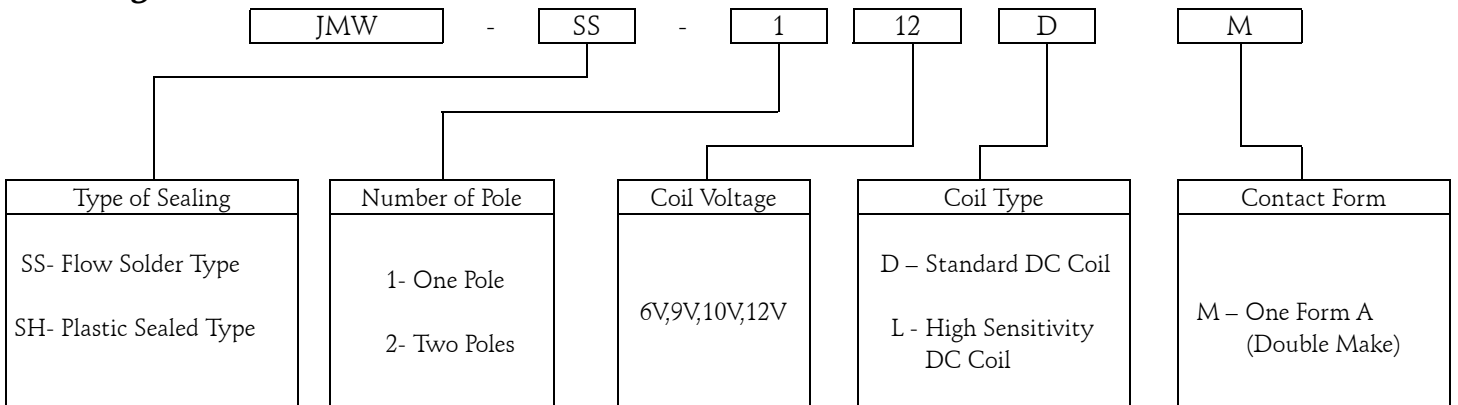
## Safety Standard & Its File Number :

- NIL

## Coil Specification (at 20 °C):

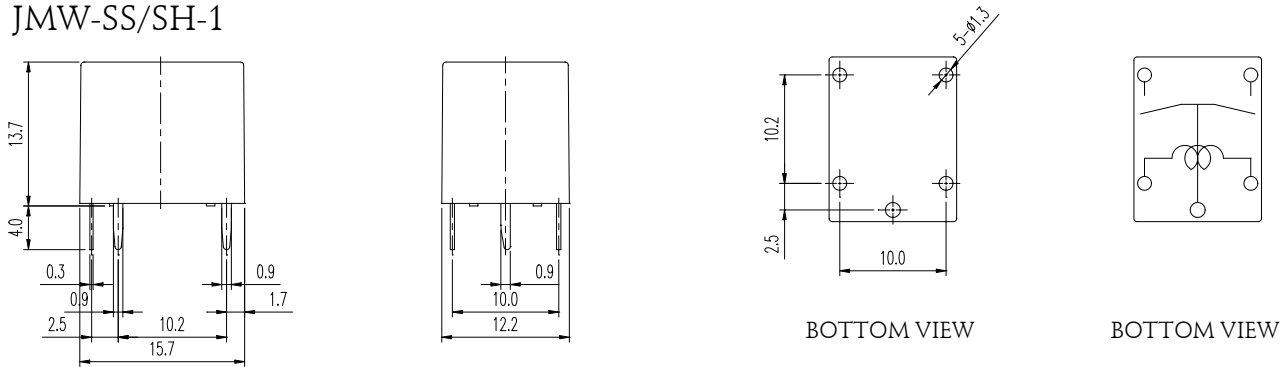
Coil Sensitivity	Nominal Voltage (VDC)	Nominal Current (mA)	Coil Resistance ( $\Omega \pm 10\%$ )	Power Consumption (W)	Pull-In Voltage (VDC)	Drop-Out Voltage (VDC)	Maximum Allowable Voltage (VDC)
JMW-D	6	133	45	Abt. 0.8	60% Maximum	5% Minimum	150% but for short time carrying current
	9	90	100				
	10	74	135				
	12	66.7	180				
JMW-L	6	100	60	Abt. 0.6	60% Maximum	5% Minimum	150% but for short time carrying current
	9	66.7	135				
	10	55.6	180				
	12	50	240				

## Ordering Information:



## Dimension:

### JMW-SS/SH-1



### JMW-SS/SH-2

