



## Main Feature

- 1 Pole to 4 Poles versions are available with switching current at 15 Amps (1 Pole) and 10 Amps (2-4 Poles).
- Printed Circuit Board Terminal, Solder Lug Terminal and Flanged Case are designed for direct panel mounting use.
- Low coil power consumption with high response time.
- High reliability and long life with better vibration and shock resistance.
- 1/3 Horse power on RET 2 Poles series are certified by UL.
- Touch Button and LED version are available for customer's selection.

## Application :

Vending Machine, Cooking Appliances, Office Machine, Domestic Appliances, Control Equipment, etc.

## Contact Rating :

- |  |                   |
|--|-------------------|
| ■ Nominal Load (Resistive Load $\text{Cos } \varphi = 1$ ) |                   |
| Contact Capacity .....                                     |                   |
| 1P .....   | 15A at 250VAC.    |
|  | 15A at 30VDC.     |
| 2P, 3P, 4P .....   | 10A at 250VAC     |
|  | 10A at 30VDC.     |
| Rated Carrying Current .....                               |                   |
| 1 P .....  | 15 Amps.          |
| 2P, 3P, 4P .....   | 10 Amps.          |
| Max. Allowable Current .....                               |                   |
| 1 P .....  | 15 Amps.          |
| 2P, 3P, 4P .....   | 10 Amps.          |
| Max. Allowable Voltage .....                               |                   |
|  | AC 250V, DC 110V. |
| Max. Allowable Power Force.                                |                   |
| 1 P .....  | 1700VA, 360W.     |
| 2P, 3P, 4P .....   | 1100VA, 240W.     |
| Min. Switching Load .....                                  |                   |
|  | DC 10V, 10mA.     |
- Contact Material ..... Ag Alloy
- Contact Form..... SPDT , DPDT ,  
..... 3PDT , 4PDT

## Performance (at Initial Value)

- Contact Resistance ..... 100 mΩ Max. @1A, 6VDC
- Operate Time ..... 25 mSec. Max.
- Release Time ..... 25 mSec. Max.
- Dielectric Strength :  
Between Coil & Contact ..... 1,500VAC at 50/60 Hz  
for one minute.  
Between Contacts ..... 1,000VAC at 50/60 Hz  
for one minute.

- Surge Resistance..... 3,000V (between Coil & Contact 1.2x50μSec.)
- Insulation Resistance..... 100 MegaΩ Min. at 500VDC.
- Max. On/Off Switching :  
Electrical ..... 240 Ops per Minute.  
Mechanical ..... 30 Ops per Minute.
- Temperature Range..... -25 ~ 55°C
- Humidity Range..... 45 ~ 85% RH.
- Coil Temperature Rise ..... 60°C Max.
- Vibration :  
Endurance..... 10 to 55 Hz dual  
amplitude width 1.5mm.  
Error Operation..... 10 to 55 Hz dual  
amplitude width 1.5mm.
- Shock :  
Endurance ..... 1,000 m/S<sup>2</sup> Min.  
Error Operation..... 100 m/S<sup>2</sup> Min.
- Life Expectancy :  
Mechanical ..... 10<sup>7</sup> Operations at No  
Load condition.  
Electrical ..... 10<sup>5</sup> Operations at Rated  
Resistive Load.
- Weight..... 1-2P : About 35 g.  
3P : About 50 g.  
4P : About 65 g.

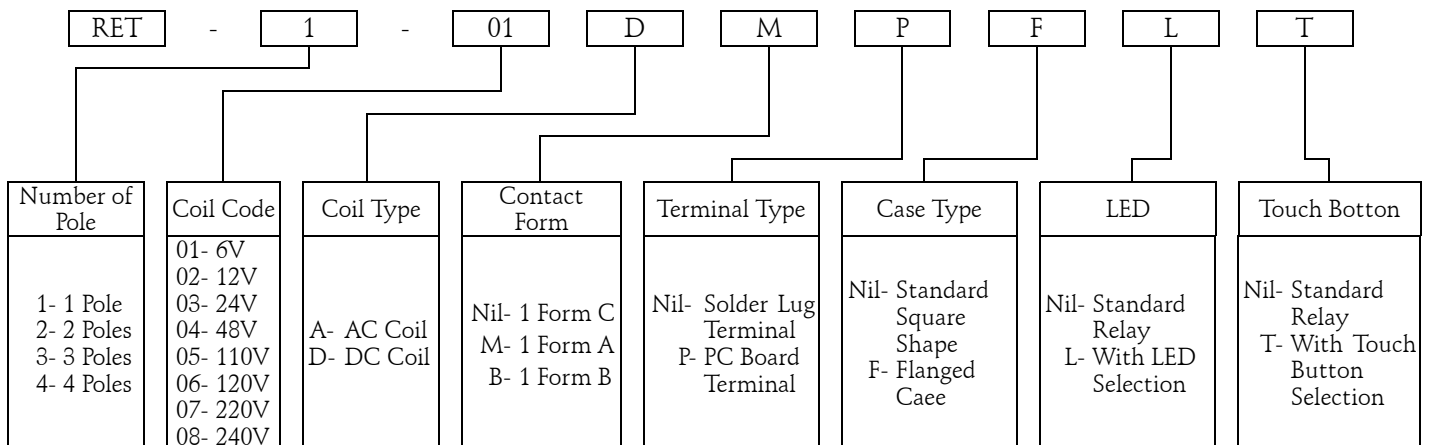
## Safety Standard & Its File Number :

- C-UL (1-Pole & 2-Pole)..... E141060.

## Coil Specification (at 20°C)

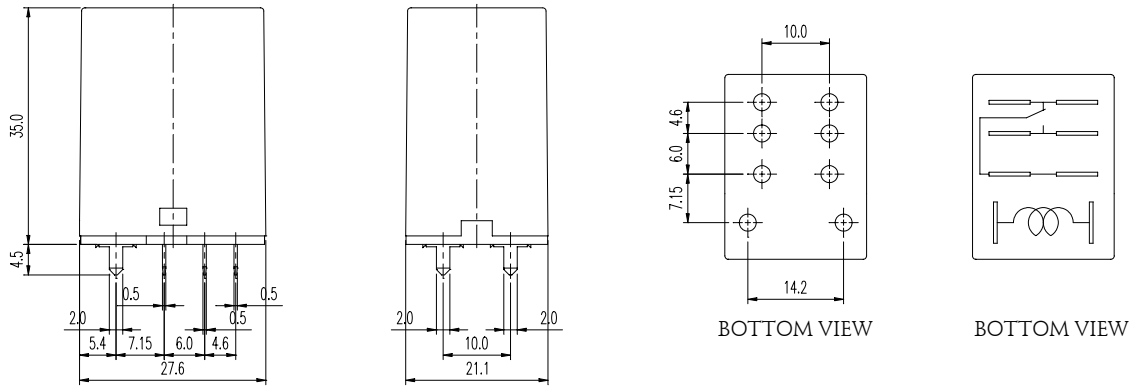
Coil Sensitivity	Coil Voltage Code	Nominal Voltage (VDC)	Nominal Current (mA)		Coil Resistance ( $\Omega \pm 10\%$ )	Power Consumption	Pull-In Voltage (VDC)	Drop-Out Voltage (VDC)	Max.Allowable Voltage (VDC)
			50 Hz	60 Hz					
RET 1-P & 2-P AC Coil	01	6	282.7	214.3	10	Abt. 1.0 to 1.3 (60Hz)	80% Maximum	30% Minimum	110%
	02	12	106.2	94.9	40				
	03	24	52.8	45.5	160				
	04	48	23.7	20.0	600				
	05	110	12.5	10.3	3,400				
	06	120	16.8	14.3	3,400				
	07/08	220/240	6.2/7.2	5.1/5.9	13,600				
RET 3-P AC Coil	01	6	310	270	6.7	Abt. 1.6 to 2.0VA (60 Hz)	80% Maximum	30% Minimum	110%
	02	12	159	134	24				
	03	24	80	67	100				
	04	48	38	33	410				
	05	110	16	13.7	2,300				
	06	120	15.4	13.2	2,300				
	07/08	220/240	10	8.5	8,650				
RET 4-P AC Coil	01	6	386	330	5	Abt. 1.95 to 2.5 VA (60 Hz)	80% Maximum	30% Minimum	110%
	02	12	199	170	20				
	03	24	93.6	80	78				
	04	48	46.8	40	350				
	05	110	25.5	21.8	1,600				
	06	120	24.5	21	1,600				
	07/08	220/240	13.1	11.2	6,700				
RET 1-P & 2-P DC Coil	01	6	150		40	Abt. 0.9 W	80% Maximum	10% Minimum	110%
	02	12	75		160				
	03	24	36.9		650				
	04	48	18.5		2,600				
	05	110	10		11,000				
	06	120	10		11,000				
	07/08	220/240	13.1		11.2				
RET 3-P DC Coil	01	6	234		25.7	Abt. 1.4 W	80% Maximum	10% Minimum	110%
	02	12	112		107				
	03	24	58.6		410				
	04	48	28.2		1,700				
	05	110	13		8,500				
	06	120	14.1		8,500				
	07/08	220/240	13.1		11.2				
RET 4-P DC Coil	01	6	240		25	Abt. 1.5 W	80% Maximum	10% Minimum	110%
	02	12	120		100				
	03	24	69		350				
	04	48	30		1,600				
	05	110	15.9		6,900				
	06	120	17.4		6,900				
	07/08	220/240	13.1		11.2				

## Ordering Information:

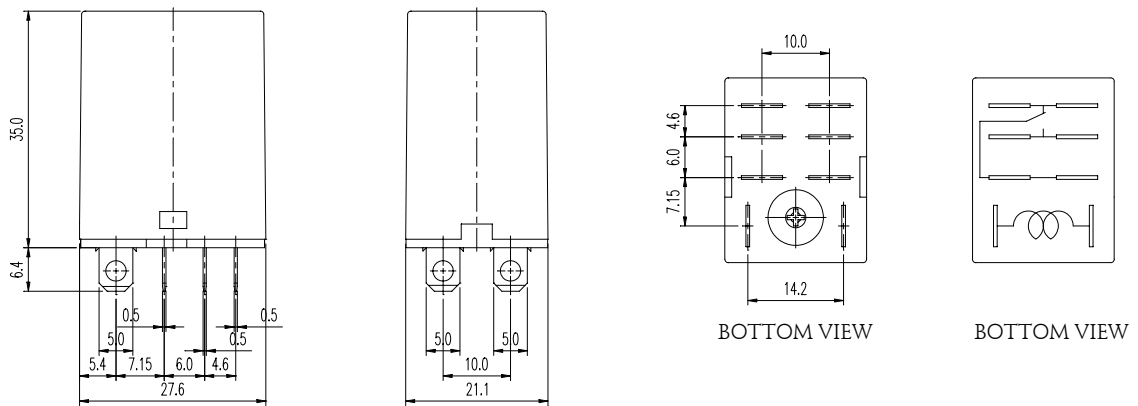


## Dimension:

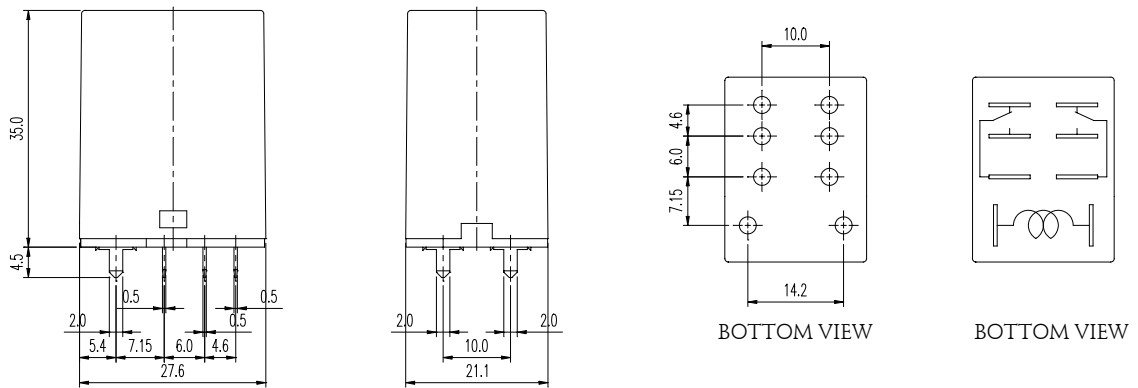
RET-1-P



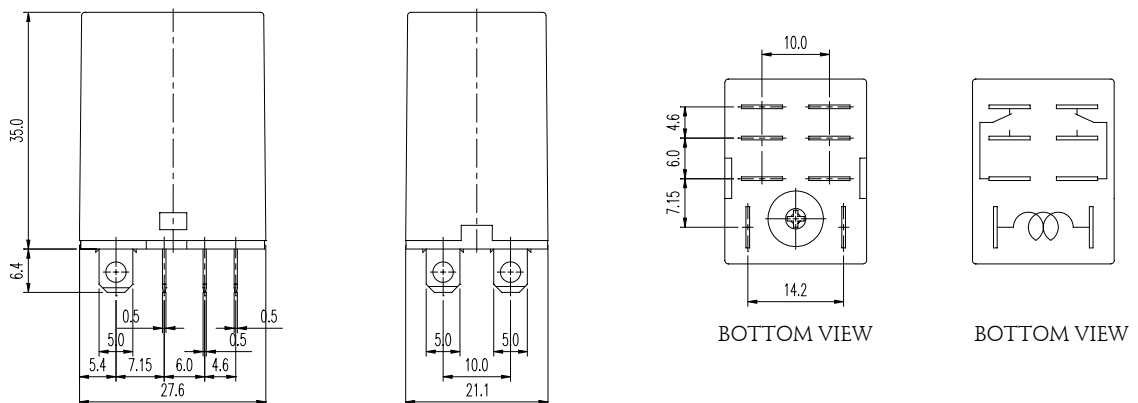
RET-1



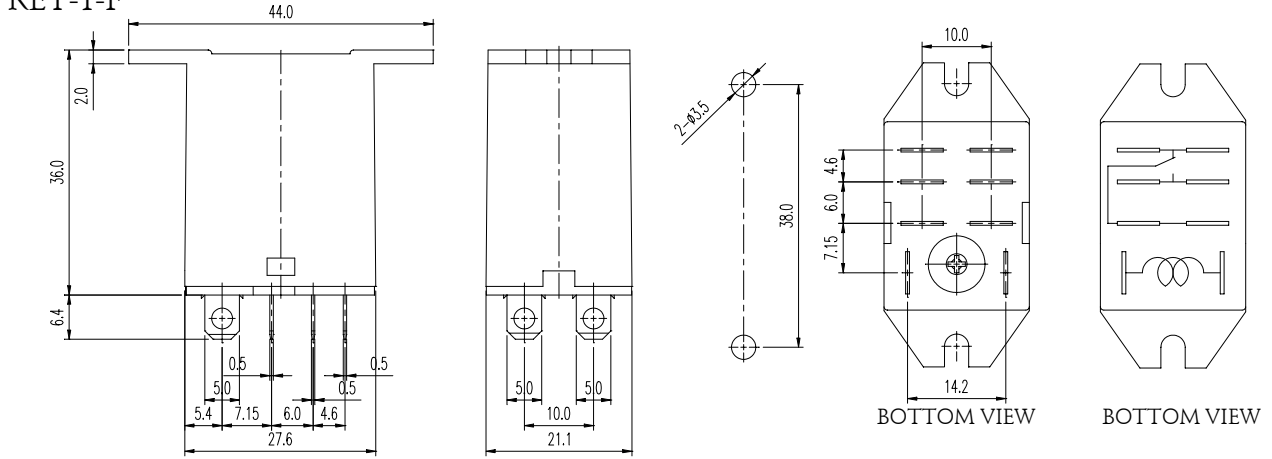
RET-2-P



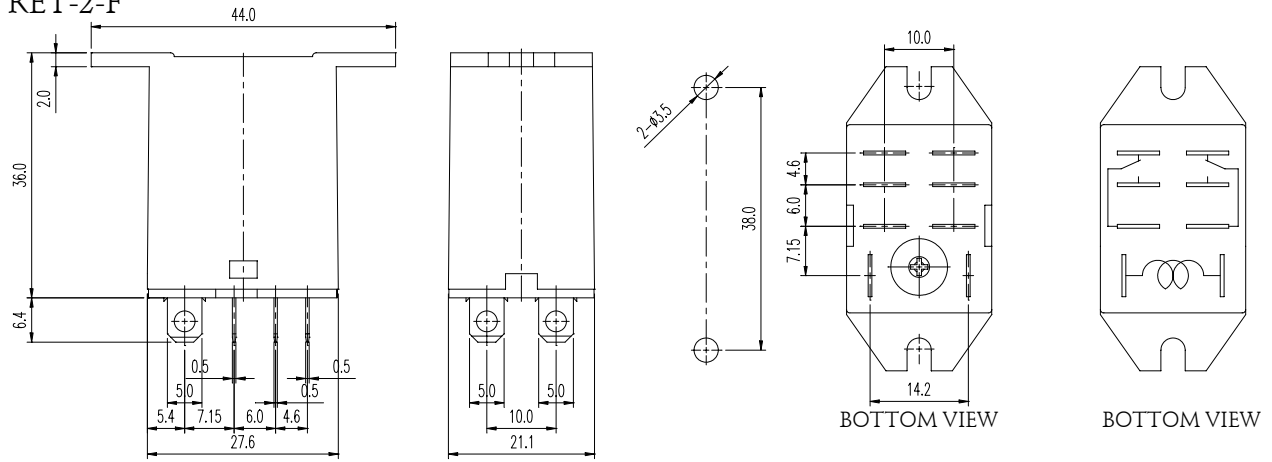
RET-2



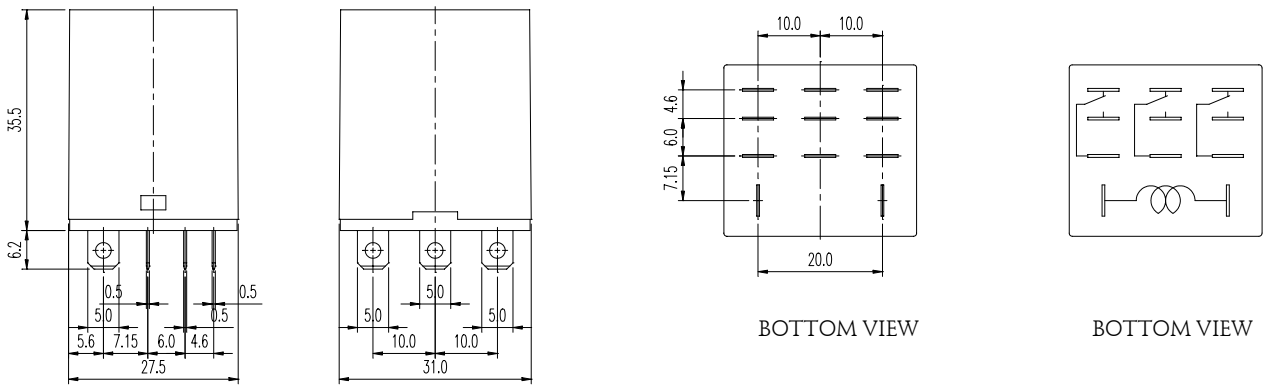
RET-1-F



RET-2-F



RET-3



RET-4

