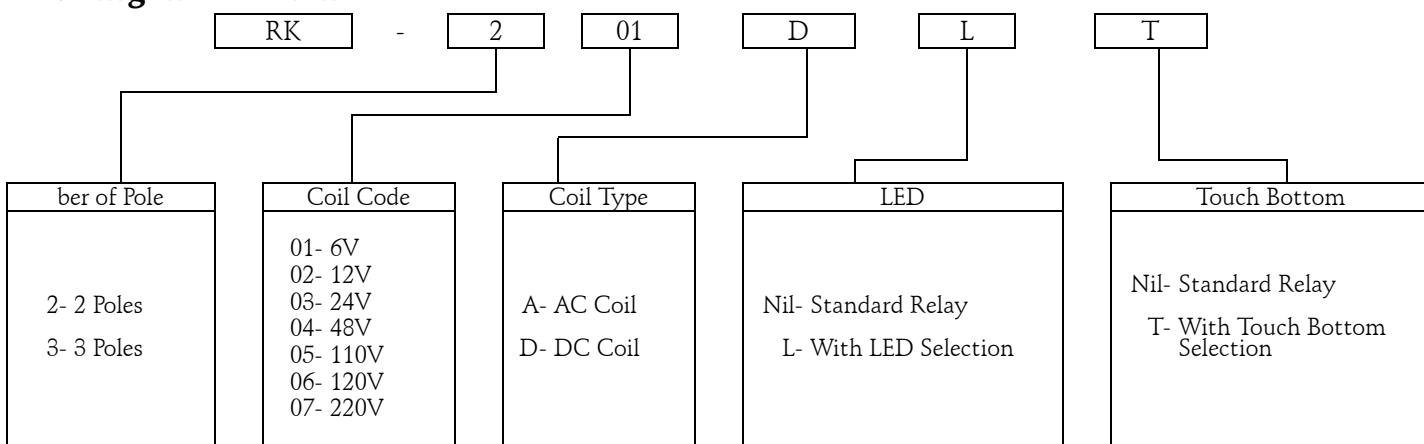


Coil Specification (at 20°C)

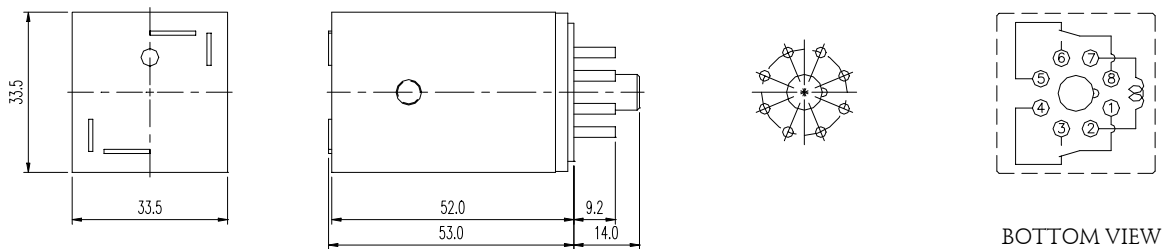
Coil Sensitivity	Coil Voltage Code	Nominal Voltage (VDC)	Nominal Current (mA)		Coil Resistance ($\Omega \pm 10\%$)	Power Consumption		Pull-In Voltage (VDC)	Drop-Out Voltage (VDC)	Max. Allowable Voltage (VDC)
			50 Hz	60 Hz		50HZ	60HZ			
RK 2-P & 3-P AC Coil	01	6	404.00	360.00	5.3	2.40VA	2.16VA	80% Maximum	30% Minimum	110%
	02	12	169.63	139.53	21.5	2.04VA	1.67VA			
	03	24	69.74	59.84	91	1.67VA	1.44VA			
	04	48	24.50	20.70	420	1.18VA	0.99VA			
	05	110	15.90	13.20	1620	1.75VA	1.45VA			
	06	120	20.10	16.40	-	2.41VA	1.97VA			
	07	220	7.55	6.42	7100	1.66VA	1.41VA			
RK 2-P & 3-P DC Coil	01	6	255		23.5	Abt. 1.5W		80% Maximum	10% Minimum	110%
	02	12	126		95					
	03	24	56		430					
	04	48	29.5		1,630					
	05	110	16.2		6,800					
	06	120	-		-					

Ordering Information:



Dimension:

RK-2C



RK-3C

